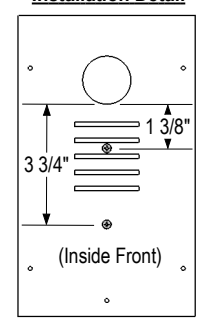
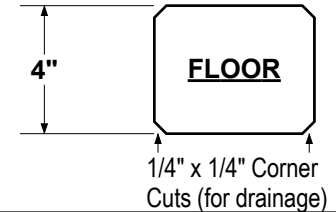
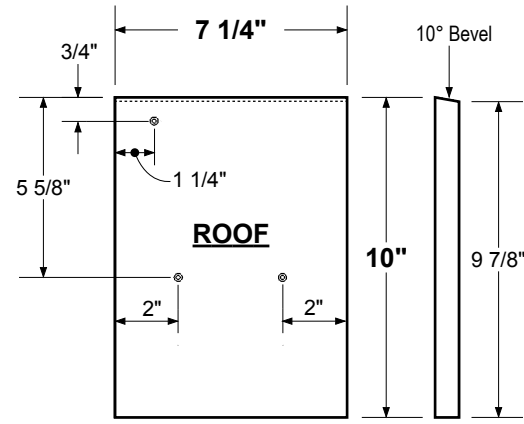
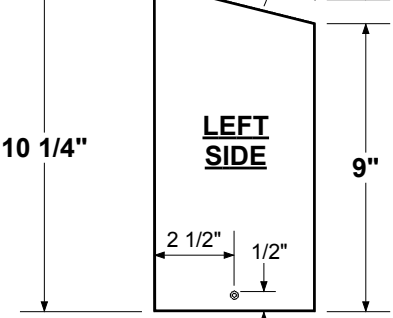
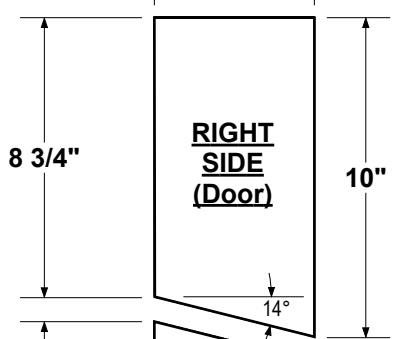
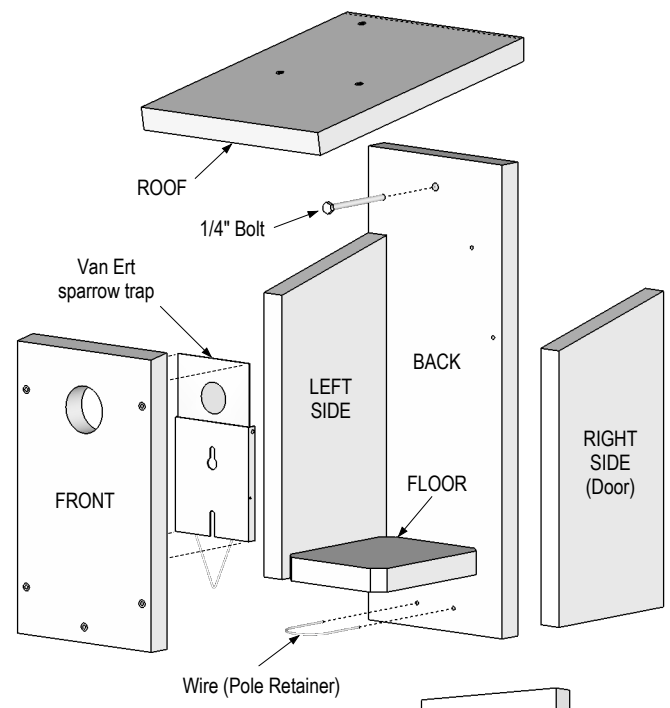


Van Ert Sparrow Trap Installation Detail



Adjust top screw 1/16" from wood. Adjust bottom screw 1/4" from wood.

Note: If using cedar (smooth one side, rough one side) assemble box with smooth sides facing inside of box.



- Materials:**
 1 x 6 (3/4" x 5 1/2") x 48" long
 1 x 8 (3/4" x 7 1/4") x 10" long
 (14) #8 x 1 1/2" Exterior Wood Screws
 (1) 1/4" x 3" Bolt with washer and nut
 (1) 1/16" dia. wire x 8" long
 (1) Van Ert Universal Sparrow Trap
 (2) #8 x 1/2" pan head sheet metal screws

**Zeppick
 Bluebird Nestbox**
 designed by Darlene Sillick & Charlie Zepp

Drawn by: Fred Stille V. 2.0, February 23, 2012 Page 1 of 1